

Keyword:
XOL – Extended Operating Life

Model: SL-840

Performance Data **Size BEL**
 (Typical values for batteries stored at 25 °C for one year)

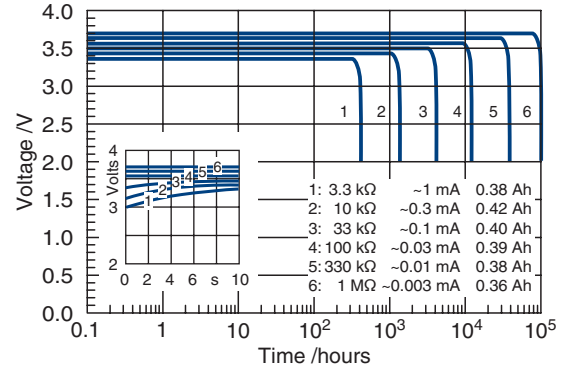
System	Li/SOCl ₂
Nominal voltage	3.6 V
Nominal capacity	0.42 Ah
Nominal current	0.5 mA
Max. continuous discharge current	5 mA
Max. pulse current capability	10 mA
Anode surface area	2.4 cm ²
Lithium content	0.13 g
Weight	6 g
Volume	2.1 cm ³
Temperature range	-55...+85 °C

WARNING:
 Fire, explosion, and severe burn hazard. Do not recharge, disassemble, heat above 100 °C, incinerate, or expose contents to water.

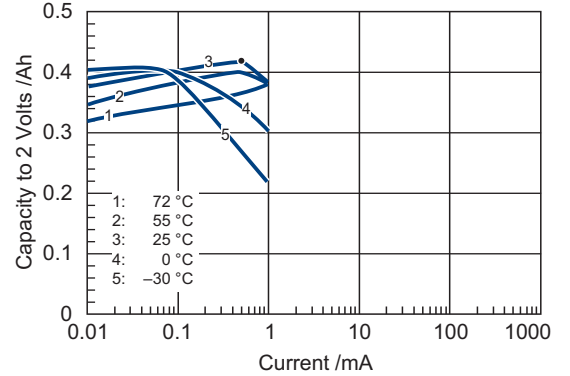
UL recognition under file MH 12827

See also our website under Products/Safety

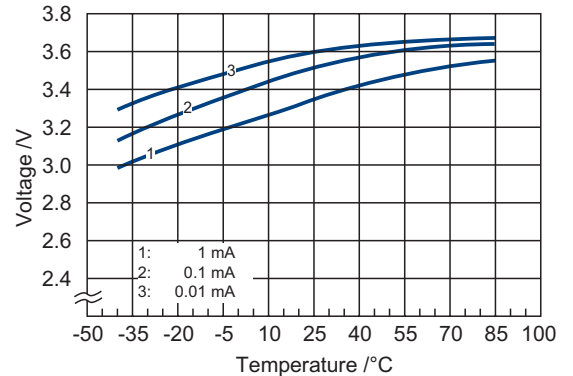
Typical Discharge Curves at +25°C



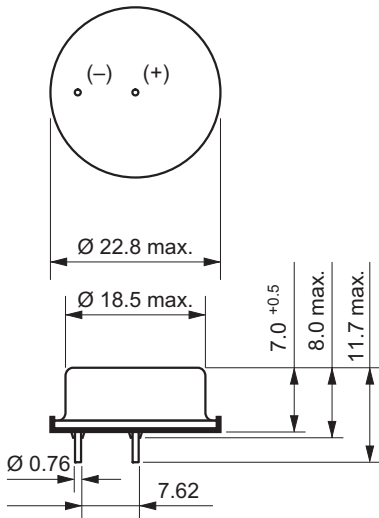
Available Capacity



Operating Voltage



SL-840



Available Terminations

SL-840 Pins

Catalogue No.

11 1 18404 00

Any values given here are for information purposes only. They also depend on actual conditions of use and are not warranties of future performance. Subject to change.